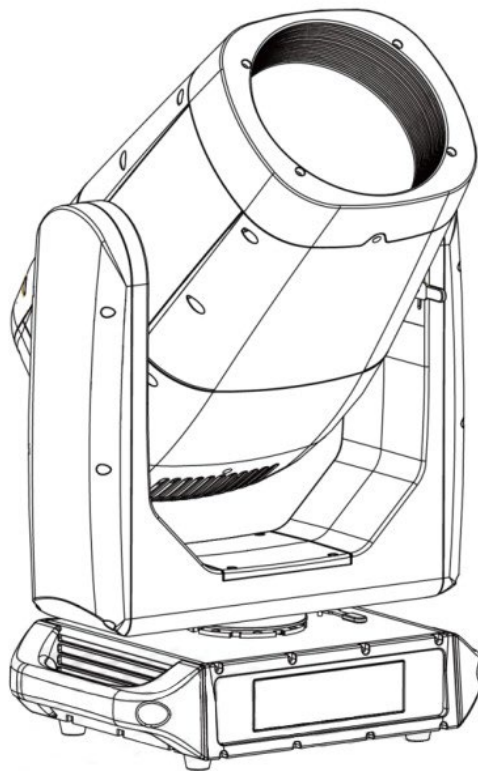


BX

LEDMOV700

USER MANUAL

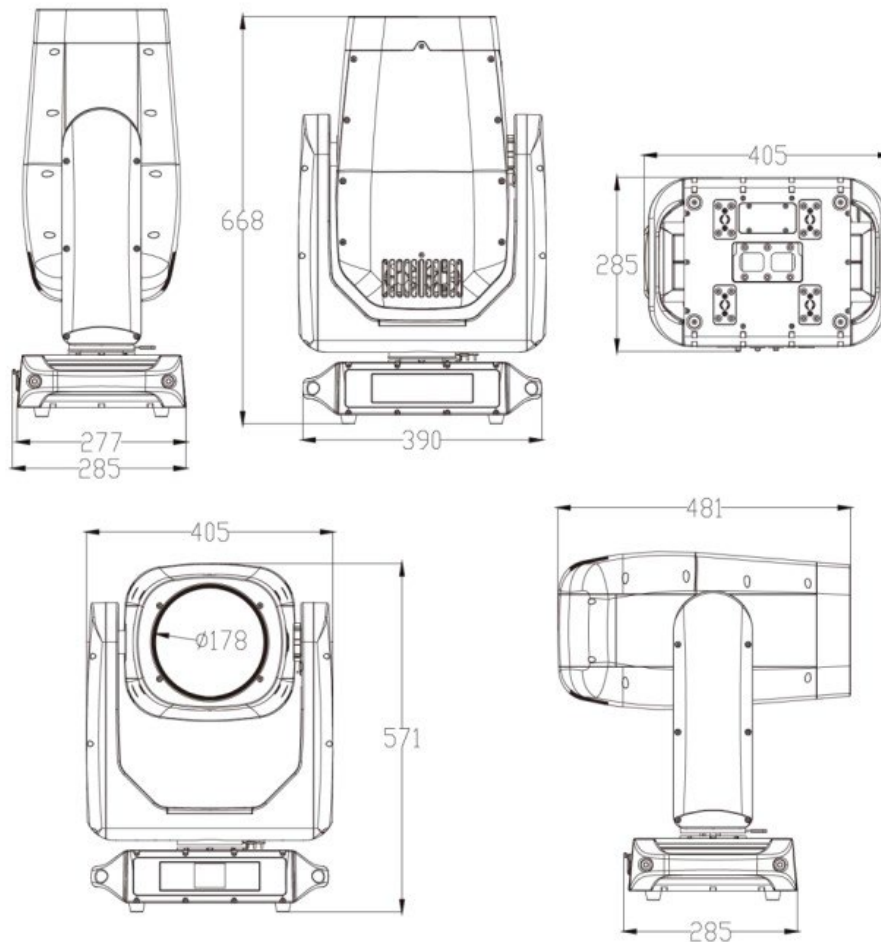


1 PRODUCT

1.1 TECHNICAL SPECIFICATIONS

Fixture Name	BX
Light Source	100W Laser
Angle	Beam Angle: 0.7°~5°
Power Consumption	270w
Control Protocols	DMX512, RDM, Artnet, sACN, NFC
Voltage Range	AC100~240V,50/60Hz
Current	220V/1.3A
IP Rating	IP65
Operation Temperature	-20° to 45°
Dimensions	381 x 280 x 665mm
Weight	26.7kg

DIMENSIONS



1.2 Safety Notes

IMPORTANT

- Fixture must be installed by an experienced professional.
- To maintain the condition and to ensure safe operation, follow the safety instructions and warning notes outlined in this manual.
- The manufacturer is not liable for any damage caused by the operator not abiding to the manual or any modification made to this device.

CAUTION!

- Make sure that the voltage supplied to the fixture is not higher than stated on the rear panel.
- Do not handle the power cable with wet hands.
- The earth wire must always be connected to ground. It is essential to connect the yellow/green conductor to earth.
- Make sure that the power cord is not damaged by sharp objects or serrated edges, or beyond the minimum bend radius, or crushed. Check the device and the power cord before operation. The electrical connection, repairs and servicing of this fixture must be carried out by a qualified person and to Australian/New Zealand Standards.
- Always disconnect the power input cable to completely remove power from unit when not in use or before cleaning or servicing of the fixture.
- Do not power cycle the fixture in short intervals as this could affect the fixture's life span.
- Do not touch the device's housing with bare hands during operation. The surface of the casing can reach up to 65°C during operation.
- Make sure no materials are in contact with the fixture. Ensure the product is in a location where there is no risk of accidental contact.
- Allow the fixture to cool for at least 10 minutes before handling.
- If replacing lamps and fuses, use replacements of the same type and rating only.
- To avoid damage during transportation and installation, use appropriate casing and protection. If there is any damage to the coating, the shell may corrode.
- Before hanging the fixture verify hanging points and ensure they can support the weight. Ensure the hook clamps or couplers can bear at least 10 times the weight of the fixture.
- Ensure the fixture has a safety cable and that it is attached correctly. Please follow the illustrations in this manual. Before use, check that the housing is firmly closed, and all screws are fastened to correct torque.
- The maximum ambient temperature for operation is 45°C. Do not operate the product if the ambient temperature (Ta) exceeds 45° C.
- During the first start-up, some smoke may appear, or a smell may be present. This is a normal process and does not necessarily mean that the device is defective.

Electrical Warning

- The light source contained in this luminaire shall only be replaced by the manufacturer, service agent, or a similarly qualified person.
- When replacing fuses, replacements must be the same type and rating.
- The lens must be replaced if damaged to ensure the fixtures function is not impaired e.g. cracks or deep scratches.

Keep the product away from flammable materials

- Keep all combustible materials (fabric, wood, paper etc) at least 20m away from the fixture.
- Ensure that there is adequate and unobstructed airflow into the product. Provide a minimum clearance of 500mm around fans and air vents.
- Do not illuminate surfaces within 20m of the product.
- Do not install a fuse that has a higher rating than the original installed. Under no circumstances bypass fuses.
- Do not install filters, masks, or any other materials onto optical components.
- If the fixture seems to be abnormally hot, shows signs of melting or emits smoke, disconnect the fixture from power immediately and allow it to cool. Do not touch the fixture without appropriate PPE. Keep the fixture well away from combustible and flammable materials.

NEVER LOOK DIRECTLY INTO THE LIGHT SOURCE RETINA INJURY RISK - MAY INDUCE BLINDNESS

Do not point the optics of the fixture towards the sun or other strong light sources. The lens focuses and concentrates light like a magnifying glass and can cause internal damage to the fixture and could melt components or start an internal fire within seconds.

To avoid problems from strong light sources:

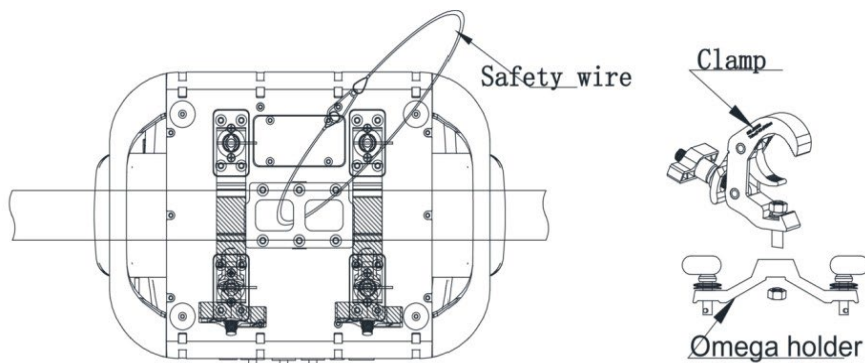
- Do not focus beams from one fixture directly into another fixture.
- For outdoor applications ensure that the fixture's optics is pointed away and shielded from sunlight even when not in use.
- Do not expose the product to excess heat from other lighting fixtures.

2 INSTALLATION

2.1 Mounting

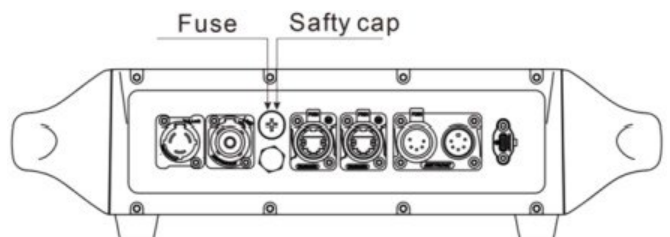
Truss installation

- ◆ Keep all combustible materials (fabric, wood, paper etc) at least 500mm away from the product.
- ◆ For overhead use, always install a safety cable that can hold at least 10 times the weight of the fixture.
- ◆ Secure the fixture with a safety cable through the rear safety eye and truss as illustrated.
- ◆ Ensure that the structure to which you are attaching the fixture to is secure and load bearing.



2.2 Fuse replacement

- ◆ Remove the safety cap using a screwdriver.
- ◆ Remove the old fuse from the safety cap.
- ◆ Install a new fuse.
- ◆ Reinstall the safety cap.



2.3 Power Connections

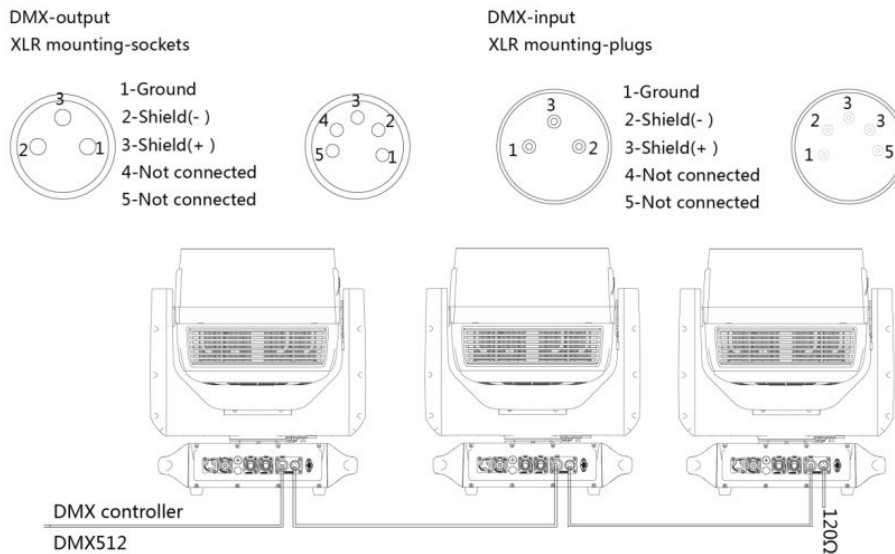
- ◆ This product has an auto-ranging power supply that can work with an input voltage range of 100–240 VAC, 50/60 Hz.

AC Plug

Connection	Wire Colour	Screw Colour
AC Live	Brown	Yellow/Brass
AC Neutral	Blue	Silver
AC Ground	Striped Green/Yellow	Green

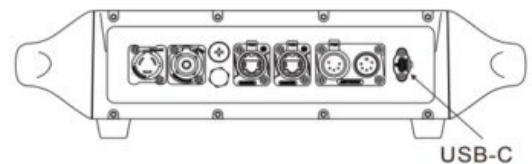
2.4 DMX512 Requirements

- ◆ Connect a DMX512 cable from the output of a controller or console to the first unit. The fixture has 3/5-pin XLR connectors for DMX data input and output.
- ◆ Connect the DMX-output of the first fixture in line with the DMX-input of the next fixture and repeat until all fixtures are connected.
- ◆ DMX footprint is dependant on the mode that the fixture is running. For separate control of fixtures addressing should increase by 1 after channel footprint.
- ◆ DMX addressing starts at 1 and must be contained under 512.
- ◆ It is recommended to use a DMX terminator (120Ω) in the last fixture in line. This is especially relevant for long runs or lines with a large quantity of fixtures on a single line. Please refer to USITT DMX512 loading designation.



2.5 Update Firmware

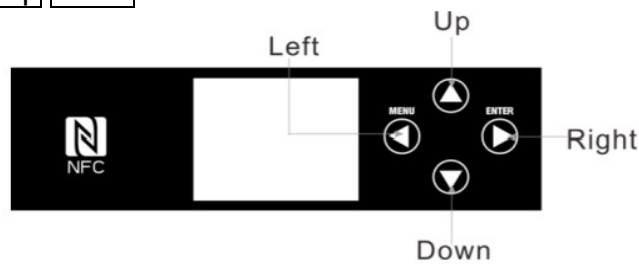
- ◆ Updating firmware with USB-C interface:
 1. Insert USB-C U dish into USB-C interface.
 2. Find "Upgrade Software" in the menu. Select the correct firmware to upload and click OK.



3 FUNCTIONS AND SETTINGS

3.1 Display Navigation

- ◆ Left (menu): Accesses the menu or returns to a previous menu option.
- ◆ Right (enter): Selects, stores or confirms the current function, value or option highlighted in the menu.
- ◆ Up: Navigates upwards through the menu list. Increases the numeric value when in a selected function.
- ◆ Down: Navigates downwards through the menu list. Decreases the numeric value when in a selected function.
- ◆ To unlock the display:
Hold the enter button for 5 seconds until the enter password prompt appears. Enter the password- **Up Down Up Down**



3.2 Menu Map

ADDRESS	001 – 512(Default 001)		DMX address setting
PERSON	BASIC		Use the menu to select desired channel mode
	STANDARD (Default)		
	EXTEND		
RUNMODE	DMX512 (Default)		Select Signal
	ARTNET		Default: DMX512
	ARTNET TO DMX		ARTNET : Ethernet control
	sACN		CUSTOM1-2 Set up get into EDIT
	AUTO		MENU edit
	CUSTOM1		
	CUSTOM2		
OPTON	PAN INVERT	NORMAL (Default)	PAN moving direction selection
		INVERT	
	TILT INVERT	NORMAL (Default)	TILT moving direction selection
		INVERT	
	PERFORM	STUDIO	Slow RPM Fan mode
		POWER	High RPM Fan mode, all power
		LIVE (Default)	Automatic rotation of fan
	BLACKOUT	OFF (Default)	Select OFF blackout without delay
		ON	Select ON Blackout delay 3s
	DIMMER SPEED	Halogen (Default)	Dimming speed LED (fast) to
		LED	Halogen (slow)
	DIMMER CURVE	LINEAR	Sets the Dimmer curve
		SQUARE LAW	
		INV. SQUARE LAW	
		S-CURVE	
	LED PWM	1200Hz (Default)	Sets the PWM frequency
		2400Hz	
		4000Hz	
		6000Hz	
		25000Hz	

DMX ERROR	SAVE (Default)		Hold Values after signal loss	
	BLACK		Blackout after signal loss	
DISPLAY TIME	On		Display is always on	
	30s		Turns off display after 30s/1min /2min of inactivity	
	1min (Default)			
	2min			
DISPLAY LOCK	OFF		Locks display (passcode is <input type="text" value="UF,"/> <input type="text" value="DOWN,"/> <input type="text" value="UF,"/> <input type="text" value="DOWN,"/> <input))<="" td="" type="text" value="ENTER"/>	
	ON (Default)			
LOAD PARA	OFF		Upload data	
	ON (Default)		Disables upload data	
SETTING	RECOVERY	****	Restore default factory settings.	
	CLEAN EDIT1	****	Clean customer self-editing scene 1	
	CLEAN EDIT2	****	Clean customer self-editing scene 2	
	WDMX HIDE	NO		Hide wireless mode, WDMX reset and hide signal. Default is wired mode
YES				
NETWORK	NET SWITCH	2.xxx.xxx.xxx	Net switch off IP mode	
		10.xxx.xxx.xxx	Net switch on IP mode	
	UNIVERS	0-255	Packet group Settings	
	IP MODE	DEFAUL IP	Default IP	
		CUSTOM IP	Customer's IP	
	CUSTOM IP	XX.XX.XX.XX	Customer's IP setting	
WIRELESS	WIFI MODE	WIFI	STATION	WiFi settings
		AP		
	WIFI INTO	SSID	YJSS9451	
		PASSWORD	yj000001	
		LOCAL IP	xxx:xxx:xxx :xxx	
		REMOTE_IP	xxx:xxx:xxx :xxx	
		MAC	xx:xx:xx:xx :xx:xx	
WIFI RESTART		NO		

			YES		
		WIFI DEFAULT	NO		
			YES		
	BLUETOOTH	MAC	xx:xx:xx:xx :xx:xx		
		NAME	YJSS9451		
PT ENCODER	OFF			XY Encoder switch. OFF is close; ON is open.	
	ON				
LANGUAGE	****	Chinese		LANGUAGE	
		ENGLISH			
WDMX RESET	NO			Do not clear the receiver's message.	
	YES			Clear the receiver's message	
SIGNAL	ONLY XLRDMX			ONLY XLR is wire only	
	XLRDMX FIRST			XLR FIRST is wire first	
	ONLY WDMX			ONLY WDMX is wireless only	
	WDMX FIRST			WDMX FIRS is wireless first	
	WDMX TO XLRDMX			WDMX TO DMX is wireless to wired	
EDIT	EDIT 1-2	STEP 1-30	PAN	0-255	Edit the custom programs1-30 Select play [EDIT 1] in RUNMOEDE CUSTOM 1; Select play [EDIT 2] in RUNMOEDE CUSTOM 2
			TILT	0-255	
			PT SPEED	0-255	
			CMY_C	0-255	
			CMY_M	0-255	
			CMY_Y	0-255	
			COLOR	0-255	
			ROTA.GOBO	0-255	
			GOBO.ROTA	0-255	
			FIXED GOBO	0-255	
			PRISM 1	0-255	
			PRISM 2	0-255	
			FROST	0-255	
			FOCUS	0-255	
DIMMER	0-255				

		STROBE	0-25		
		TIME	0-255		
		USE	YES/NO	Select YES to run the steps user need.	
MANUAL	AUTO TEST				
	CHANNEL	PAN	0-255		Manual control channel
		TILT	0-255		
		PT SPEED	0-255		
		CMY_C	0-255		
		CMY_M	0-255		
		CMY_Y	0-255		
		COLOUR	0-255		
		ROTA.GOBO	0-255		
		GOBO.ROTA	0-255		
		FIXED GOBO	0-255		
		PRISM 1	0-255		
		PRISM 2	0-255		
		FROST	0-255		
		FOCUS	0-255		
	DIMMER	0-255			
	STROBE	0-25			
DEBUG HIDE	YES			Factory testing mode. All stepper motors are not controlled by signal, normal functionality only works again after reset.	
	NO				
RESET	ALL RESET			Select Yes/No to carry out all reset	
	PT RESET			Select Yes/No to carry out P/T reset	
	COLOUR SYSTEM			COLOUR/CTO reset	
	OTHER			Focus GOBO reset	
INFO	FIXTURE HOURS			Hours of fixture use	
	LED USE HOURS			LED use time	
	TEMPERATURE			LED temperature	
	VERSION			Software versions	
	NETWORK			Check network parameter	
	RDM	UID	0x388Axxxxxxxx		Check fixture's ID
		LABEL			Check fixture's LABEL
	SYSTEM ERROR	MEMORY IC			Memory IC
		ANGLESENSOR			Angle Sensor
		PAN SENSOR			Pan Sensor
PAN ENCODER			Pan Encoder		
PAN DRIVEIC			Pan Drive IC		

	TILT SENSOR		Tilt Sensor	
	TILT ENCODER		Tilt Encoder	
	TILT DRIVEIC		Tilt Drive IC	
	TEMPERATURE		Temperature	
	CMY_C RESET		CMY_C Reset	
	CMY_M RESET		CMY_M Reset	
	CMY_Y RESET		CMY_Y Reset	
	COLOR RESET		COLOUR Reset	
	GOBO RESET		GOBO Reset	
	GOBO RESET		RGOBO Reset	
	FIXED GOBO		FIXED GOBO reset	
	PRISM 1 RESET		PRISM 1 Reset	
	PRISM 2 RESET		PRISM 2 Reset	
	FOCUS RESET		FOCUS Reset	
ROTA. GOBO SERVICE	PAN	±127	Pan position fine adjustment	
	TILT	±127	Tilt position fine adjustment	
	CMY-C	±127	CMY-C position fine adjustment	
	CMY-M	±127	CMY-M position fine adjustment	
	CMY-Y	±127	CMY-Y position fine adjustment	
	COLOUR	±127	Colour position fine adjustment	
	****	ROTA.GOBO	±127	ROTA.GOBO position fine adjustment
		GOBO.ROTA	±127	GOBO.ROTA position fine adjustment
		FIXED GOBO	±127	Gobo position fine adjustment
		PRISM 1	±127	Prism1 position fine adjustment
		PRISM 2	±127	Prism2 position fine adjustment
		FOCUS	±127	Focus position fine adjustment
		OTHER	±127	
UPDATE SOFTWARE			UPDATE SOFTWARE	

All passwords of this product are: **UP** **DOWN** **UP** **DOWN** **ENTER**

4 . DMX Channels

BASIC (19CH)	STANDARD (23CH)	Extend (27CH)	Value	Function
1	1	1	000-255	PAN 0-540°
-	2	2	000-255	PAN FINE
2	3	3	000-255	TILT 0-270°
-	4	4	000-255	TILT FINE
3	5	5	000-255	PT Speed
4	6	6	000-255	CYAN
5	7	7	000-255	MAGENTA
6	8	8	000-255	YELLOW
7	9	9	COLOUR MACRO	
			000-010	No Function
			11-20	L106
			21-30	L194
			31-40	L019
			41-50	R08
			51-60	L213
			61-70	R80
			71-80	L202
			81-90	L328
			91-100	R3314
			101-110	L101
			111-120	L768
			121-128	No Function
			129-147	CYAN 100% / MAGENTA UP/ YELLOW 0%
			148-166	CYAN DOWN / MAGENTA 100% / YELLOW 0%
			167-185	CYAN 0% / MAGENTA 100% / YELLOW UP
			186-204	CYAN 0% / MAGENTA DOWN / YELLOW 100%
205-223	CYAN UP / MAGENTA 0% / YELLOW 100%			
224-242	CYAN 100% /MAGENTA 0%/YELLOW DOWN			
243-255	CYAN 100%/MAGENTA UP/YELLOW 0%			
8	10	10	000-255	CMY SPEED(SPEED 100%->1)
9	11	11	COLOUR WHEEL 19+1	
			0-7	WHITE
			8-10	COLOUR 1
			11-13	COLOUR 2
			14-16	COLOUR 3

			17-19	COLOUR 4
			20-22	COLOUR 5
			23-25	COLOUR 6
			26-28	COLOUR 7
			29-31	COLOUR 8
			32-34	COLOUR 9
			35-37	COLOUR 10
			38-40	COLOUR 11
			41-43	COLOUR 12
			44-46	COLOUR 13
			47-49	COLOUR 14
			50-52	COLOUR 15
			53-55	COLOUR 16
			56-58	COLOUR 17
			59-61	COLOUR 18
			62-64	COLOUR 19
			65-191	COLOUR WHELL1 0-360°
			192-222	COLOUR WHEEL1 RAINBOW EFFECT(SPEED 100%->1)
			223-224	STOP
			225-255	COLOUR WHEEL1 RAINBOW EFFECT(SPEED 1->100%)
-	-	12	000-255	COLOUR WHEEL FINE
10	12	13	ROTATING GOBO 6+1	
			000-010	ROTATING WHITE
			011-019	ROTATING GOBO 1
			020-028	ROTATING GOBO 2
			029-037	ROTATING GOBO 3
			038-046	ROTATING GOBO 4
			047-055	ROTATING GOBO 5
			056-064	ROTATING GOBO 6
			065-073	ROTATING GOBO 1 SHAKE (SPEED 1 —> 100%)
			074-082	ROTATING GOBO 2 SHAKE (SPEED 1 —> 100%)
			083-091	ROTATING GOBO 3 SHAKE (SPEED 1 —> 100%)
			092-100	ROTATING GOBO 4 SHAKE (SPEED 1 —> 100%)
			101-109	ROTATING GOBO 5 SHAKE (SPEED 1 —> 100%)
			110-118	ROTATING GOBO 6 SHAKE (SPEED 1 —> 100%)
			119-127	WHITE
			128-190	ROTATING GOBO FLOWING WATER EFFECT (SPEED 100 —> 1%)

			191-192	STOP WATER EFFECT
			193-255	ROTATING GOBO FLOWING WATER EFFECT (SPEED 1 → 100%)
-	-	14	000-255	ROTATING GOBO FINE
11	13	15	GOBO ROTATING	
			0-120	ROTATING GOBO ANGLE ADJUSTMENT (0 → 360°)
			121-125	STOP
			126-165	ROTATING GOBO SHAKE (SPEED 1 → 100%)
			166-170	STOP
			171-210	ROTATING GOBO POSITIVE ROTATION (SPEED 100% → 1)
			211-215	STOP
			216-255	ROTATING GOBO REVERSE ROTATION (SPEED 1 → 100%)
-	-	16	000-255	GOBO ROTATING FINE
12	14	17	FIXED GOBO WHEEL 19+1	
			0-10	WHITE
			11-13	FIXED GOBO 1
			14-16	FIXED GOBO 2
			17-19	FIXED GOBO 3
			20-22	FIXED GOBO 4
			23-25	FIXED GOBO 5
			26-28	FIXED GOBO 6
			29-31	FIXED GOBO 7
			32-34	FIXED GOBO 8
			35-37	FIXED GOBO 9
			38-40	FIXED GOBO 10
			41-43	FIXED GOBO 11
			44-46	FIXED GOBO 12
			47-49	FIXED GOBO 13
			50-52	FIXED GOBO 14
			53-55	FIXED GOBO 15
			56-58	FIXED GOBO 16
			59-61	FIXED GOBO 17
			62-64	FIXED GOBO 18
65-67	FIXED GOBO 19			
68-70	FIXED GOBO 1 SHAKE (SPEED 1 → 100%)			
71-73	FIXED GOBO 2 SHAKE (SPEED 1 → 100%)			
74-76	FIXED GOBO 3 SHAKE (SPEED 1 → 100%)			

			77-79	FIXED GOBO 4 SHAKE (SPEED 1 → 100%)
			80-82	FIXED GOBO 5 SHAKE (SPEED 1 → 100%)
			83-85	FIXED GOBO 6 SHAKE (SPEED 1 → 100%)
			86-88	FIXED GOBO 7 SHAKE (SPEED 1 → 100%)
			89-91	FIXED GOBO 8 SHAKE (SPEED 1 → 100%)
			92-94	FIXED GOBO 9 SHAKE (SPEED 1 → 100%)
			95-97	FIXED GOBO 10 SHAKE (SPEED 1 → 100%)
			98-100	FIXED GOBO 11 SHAKE (SPEED 1 → 100%)
			101-103	FIXED GOBO 12 SHAKE (SPEED 1 → 100%)
			104-106	FIXED GOBO 13 SHAKE (SPEED 1 → 100%)
			107-109	FIXED GOBO 14 SHAKE (SPEED 1 → 100%)
			110-112	FIXED GOBO 15 SHAKE (SPEED 1 → 100%)
			113-115	FIXED GOBO 16 SHAKE (SPEED 1 → 100%)
			116-118	FIXED GOBO 17 SHAKE (SPEED 1 → 100%)
			119-121	FIXED GOBO 18 SHAKE (SPEED 1 → 100%)
			122-124	FIXED GOBO 19 SHAKE (SPEED 1 → 100%)
			125-127	WHITE
			128-190	STATIC GOBO JUMPING WATER EFFECT (SPEED 100 → 1%)
			191-192	STOP WATER EFFECT
			193-255	STATIC GOBO FLOWING WATER EFFECT (SPEED 1 → 100%)
-	-	18	000-255	FIXED GOBO WHEEL FINE
13	15	19	PRISM 1	
			0-10	WHITE
			11-145	PRISM INSERT AND ADJUST THE ANGLE (0 → 360°)
			146-150	STOP
			151-200	PRISM INSERT AND POSITIVE ROTATION (SPEED 100% → 1)
			201-205	STOP ROTATION
206-255	PRISM INSERT AND REVERSE ROTATION (SPEED 1 → 100%)			
14	16	20	PRISM 2	
			0-10	WHITE
			11-145	PRISM INSERT AND ADJUST THE ANGLE (0 → 360°)
			146-150	STOP
			151-200	PRISM INSERT AND POSITIVE ROTATION (SPEED 100% → 1)
201-205	STOP ROTATION			

			206-255	PRISM INSERT AND REVERSE ROTATION (SPEED 1 —> 100%)
15	17	21	FROST	
			0-10	WHITE
			11-145	FROST INSERT AND ADJUST THE ANGLE (0 —> 360°)
			146-150	STOP
			151-200	FROST INSERT AND POSITIVE ROTATION (SPEED 100% —> 1)
			201-205	STOP ROTATION
			206-255	FROST INSERT AND REVERSE ROTATION (SPEED 1 —> 100%)
16	18	22	000-255	FOCUS
-	19	23	000-255	FOCUS FINE
17	20	24	000-255	DIMMER
-	21	25	000-255	DIMMER FINE
18	22	26	STROBE	
			0-9	NO FUNCTION
			10-99	STROBE (FROM SLOW TO FAST)
			100-109	NO FUNCTION
			110-179	LIGHTNING STROBE
			180-189	NO FUNCTION
			190-255	RANDOM STROBE
19	23	27	CONTROL (EXECUTE AFTER 3 SECONDS)	
			0-10	NO FUNCTION
			11-20	PAN/TILT BLACK ACTIVATED
			21-30	PAN/TILT BLACK DEACTIVATED
			31-40	PAN INVERT
			41-50	TILT INVERT
			51-60	PAN/TILT INVERT OFF
			61-70	STUDIO
			71-80	POWER
			81-90	LIVE
			91-100	DIMMER SPEED Halogen
			101-110	DIMMER SPEED LED
			111-120	DIMMER CURVE LINEAR
			121-130	DIMMER CURVE SQUARE LAW
			131-140	DIMMER CURVE INV. SQUARE LAW
			141-150	DIMMER CURVE S-CURVE

		151-160	1200Hz
		161-170	2400Hz
		171-180	4000Hz
		181-190	6000Hz
		191-200	25000Hz
		201-210	ALL RESET
		211-220	XY RESET
		221-230	COLOUR SYSTEM RESET
		231-240	GOBO SYSTEM RESET
		241-255	OTHER RESET